

| REVISION RECORD | | | |
|-----------------|-----|-------------|-----------|
| REV | ECN | DESCRIPTION | DRFT DATE |
| | | | |

DISCONNECT POWER BEFORE OPENING!

Don't change

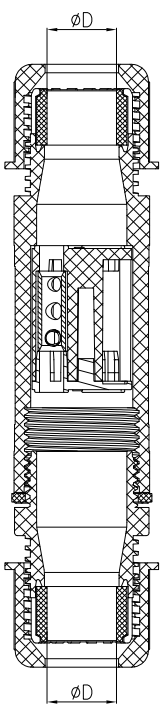
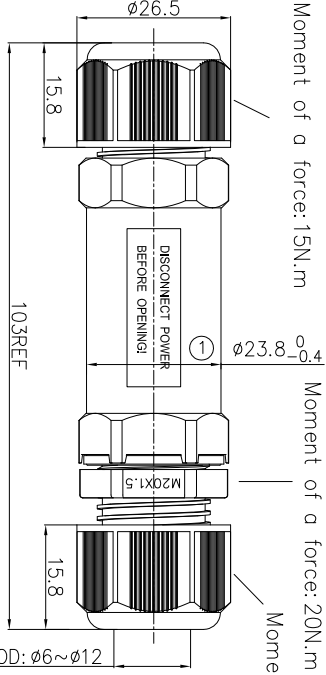
Moment of a force: 15N.m

Moment of a force: 20N.m

Moment of a force: 15N.m

CECD-20003 CA10
450V 24A 1.0~2.5mm² IP68 T110

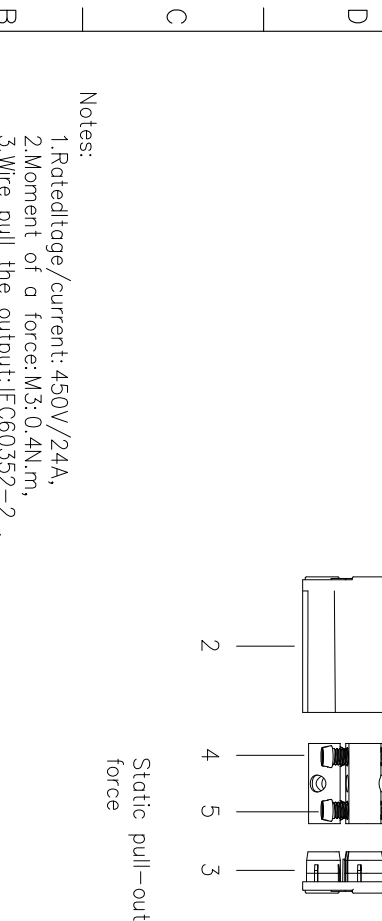
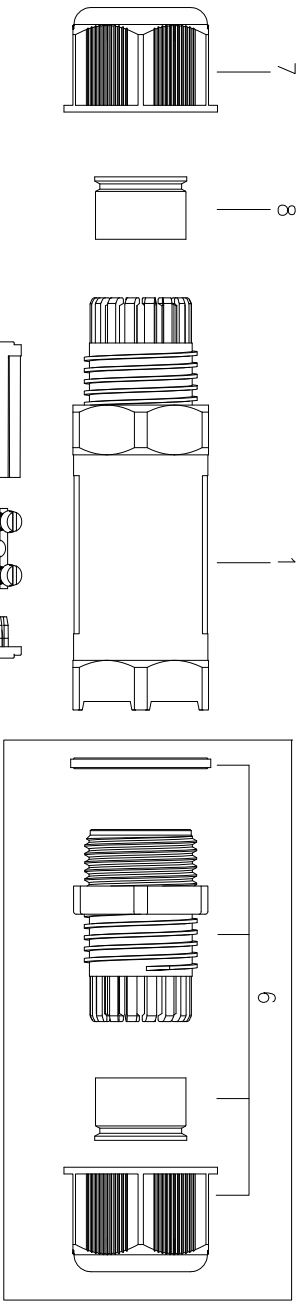
Before changing



DEGSON **YX-C-N-M20-6-12** IP68

After changing

| Type | ØD Size | Scope |
|------|---------|---------|
| A | Ø12.0 | Ø6.5~12 |
| B | Ø8.0 | Ø5.5~8 |
| C | Ø5.0 | Ø2.5~5 |



| mm ² | AWG | N |
|-----------------|-----|----|
| 0.34 | 22 | 15 |
| 0.5 | 20 | 20 |
| 0.75 | 18 | 30 |
| 1.0 | 18 | 35 |
| 1.5 | 16 | 40 |
| 2.5 | 14 | 50 |

Static pull-out force

Rotate pull-out force

Notes:

1. Rated voltage/current: 450V/24A,
2. Moment of a force: M3:0.4N.m,
3. Wire pull the output: IEC60352-2,
4. Wire gauge: 1.0~2.5mm²,
5. Limiting temperatures: -40°C~+105°C,
6. Stripping length: 6.5~8.0mm,
7. Clamping range: 6.0~12.0mm,
8. Degree of protection : IP68 (1.5m/48h),

| mm ² | AWG | N |
|-----------------|-----|----|
| 0.34 | 22 | 15 |
| 0.5 | 20 | 20 |
| 0.75 | 18 | 30 |
| 1.0 | 18 | 35 |
| 1.5 | 16 | 40 |
| 2.5 | 14 | 50 |

| ITEM | NAME OF PART | NO. OF PART | QTY | MATERIAL | NOTES |
|------|--------------------------------------|-------------|-----|----------|--------------|
| 8 | M20*1.5 Joint seal ring ² | E013H0300AH | 1 | NBR | |
| 7 | M20*1.5 Compacting joint | E013G0300CH | 1 | PA66 | |
| 6 | M20*1.5 Joint component | E013G0300AH | 1 | PA66 | |
| 5 | DG10HS Slotted screw | S0000003000 | 6 | STEEL | M3/Zn Plated |
| 4 | DG801 Copper pillar ² | X000000040 | 3 | Cu | Ni Plated |
| 3 | The fluid covers | E013E0300AH | 1 | PA66+GF | |
| 2 | The lord carries fluid | E013F0300AH | 1 | PA66+GF | UL94-V0 |
| 1 | Corpus | E013A0300AH | 1 | PA66 | UL94-V0 |

DEGSON 宁波高松电子有限公司
NINGBO DEGSON ELECTRICAL CO., LTD

NAME: **M20 3芯直通式防水连接器**

TITLE: CUSTOMER DRAWING

DRFT: WYM 2017/11/23

APPD: YX-C Series

CHKD:

DRAWING NO.: 1001-E01

REV: TO-2

SHEET: 1/1

SCALE: 1:1

THIRD ANGLE PROJECTION